

APPENDIX B

Typical Designs of Piers for Load-Bearing Supports for Manufactured Homes

This Appendix is not part of the requirements of this document, but is included for information purposes only.

(Dimensions herein are in US units only, as they are advisory only.)

The following represent typical design arrangements followed by several producers of manufactured homes. They are illustrative examples only. It should be noted that, in addition to these design examples, guidance is found in these typical arrangements for drainage under the manufactured home, moisture prevention, consideration of termite infestation, and other critical aspects that must be taken into consideration when installing or setting-up a manufactured home. The user should consult the producer or dealer of the manufactured home in question for the actual design configuration of support piers, etc. to be followed.

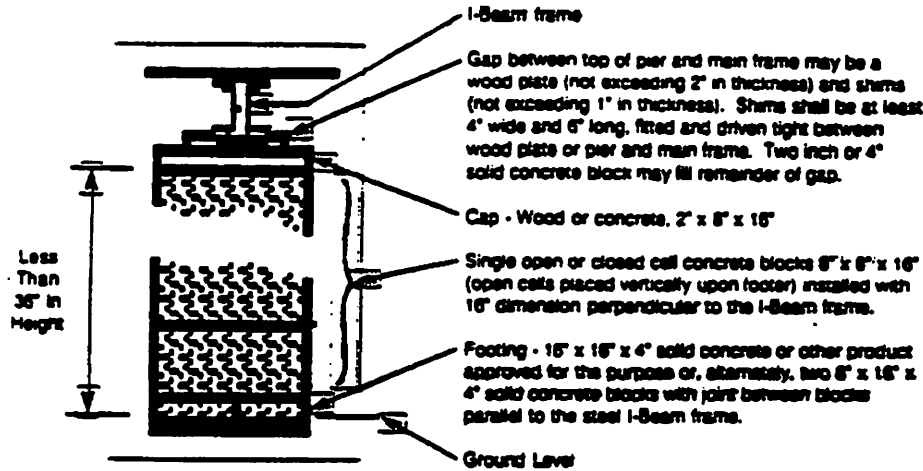


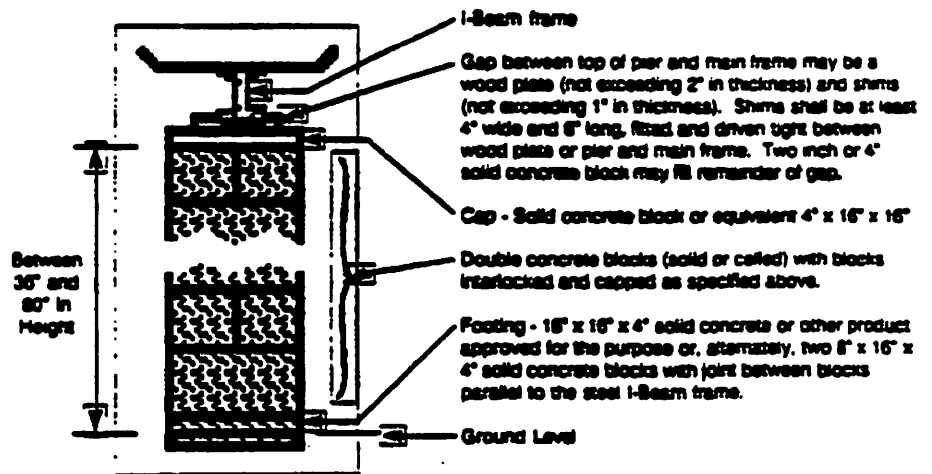
Figure C-1

Footing placed on firm undisturbed soil or on controlled fill free of grass and organic materials compacted to a minimum load-bearing capacity of 2000 PSF

(For conversion to SI units 1" = 25.40mm)

Note: In areas subject to frost heave, see 3-3.7.7.

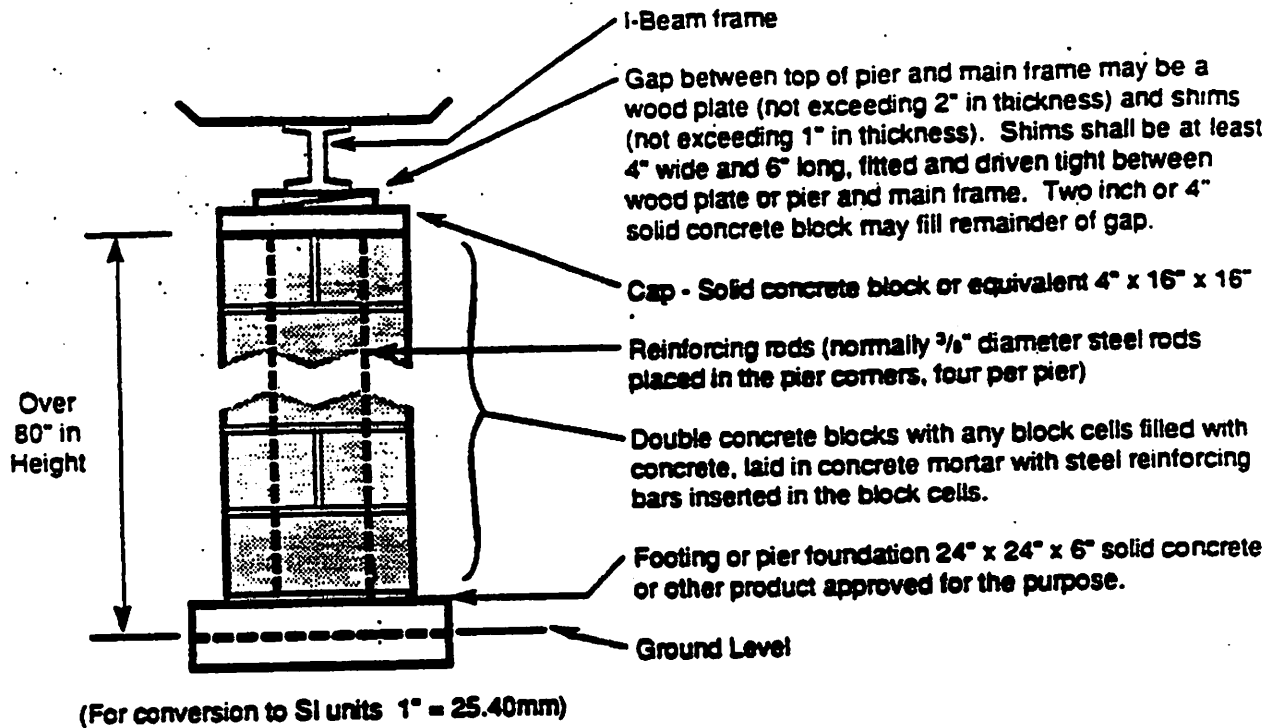
Figure C-2



Footing placed on firm undisturbed soil or on controlled fill free of grass and organic materials compacted to a minimum load-bearing capacity of 2000 PSF

(For conversion to SI units 1" = 25.40mm)

Note: In areas subject to frost heave, see 3-3.7.7



Footing placed on firm undisturbed soil or on controlled fill free of grass and organic materials compacted to a minimum load-bearing capacity of 2000 PSF

Figure C-3(a)

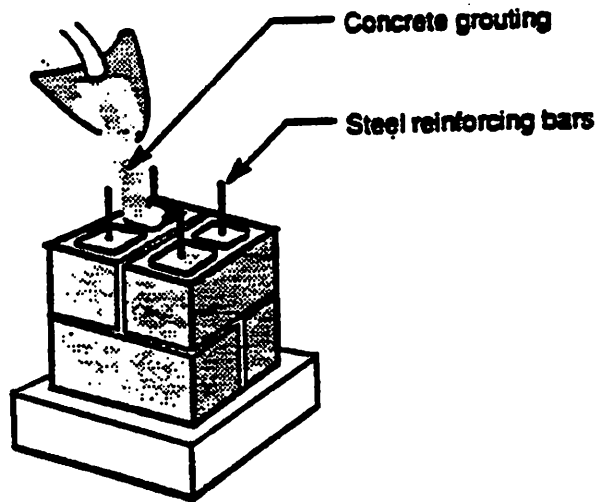


Figure C-3(b) For piers exceeding 80 inch in height the concrete blocks should be filled with concrete grouting and steel reinforcing rods utilized.

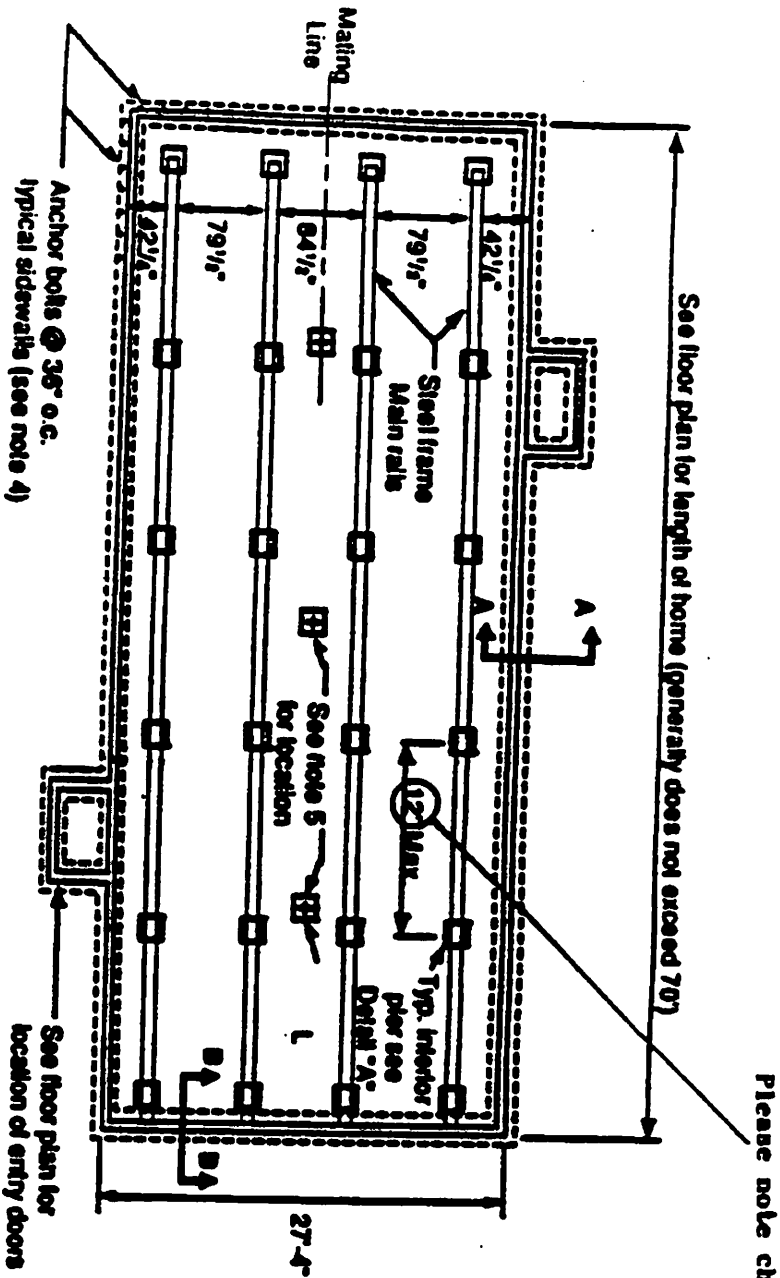


Figure C-9 Concrete or Concrete Block Foundation System

Notes:

1. Design Assumptions:
 - Uniform Building Code, Chapter 29, 1985 Ed.
 - 20 PSF max. wind force
 - 30 PSF roof live load
 - Seismic Zone 3
2. Foundation footing size and depth to be based on soil conditions at the site.
3. Crawl space access and ventilation to be provided.
4. Anchor bolts to be installed within 12 in. of each end of sill and as shown on plan. Bolts to be 1/2 in. 0 x 7 in. in concrete foundation. Bolts to be 1/2 in. 0 x 1 1/2 in. in concrete block foundation.
5. Centerline piers to be located directly below ridge beam support posts.
6. (ASTM C-90) with 2 - 14 fully grouted in cell with anchor bolt may be used in lieu of foundation stem wall.
7. Front and/or rear end wall stems may be built after house is placed on foundation.
8. When under floor clearances exceeds 36-in. a special foundation stem wall design is required.