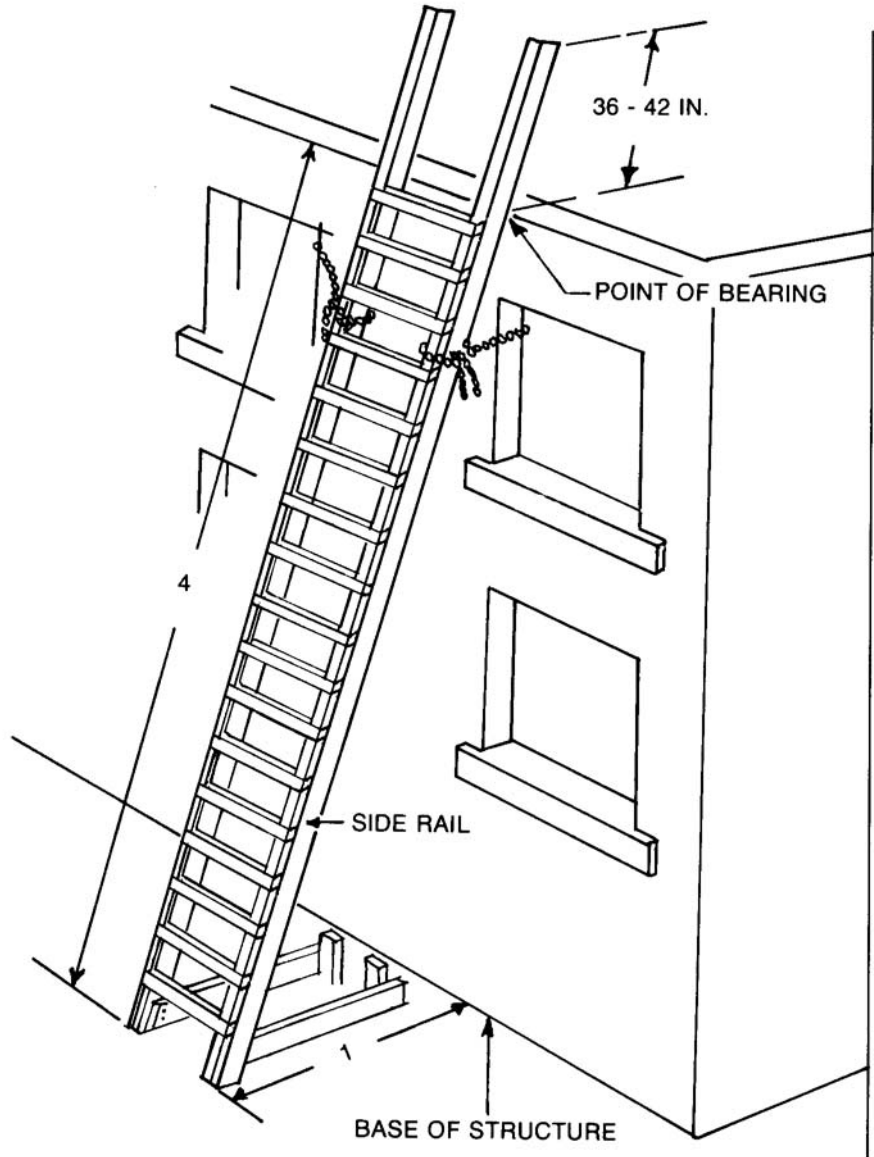
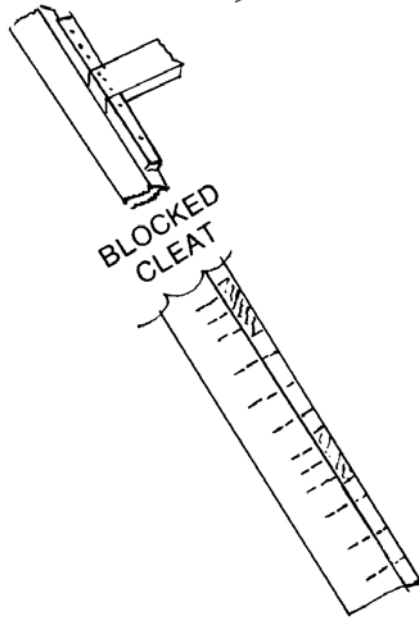
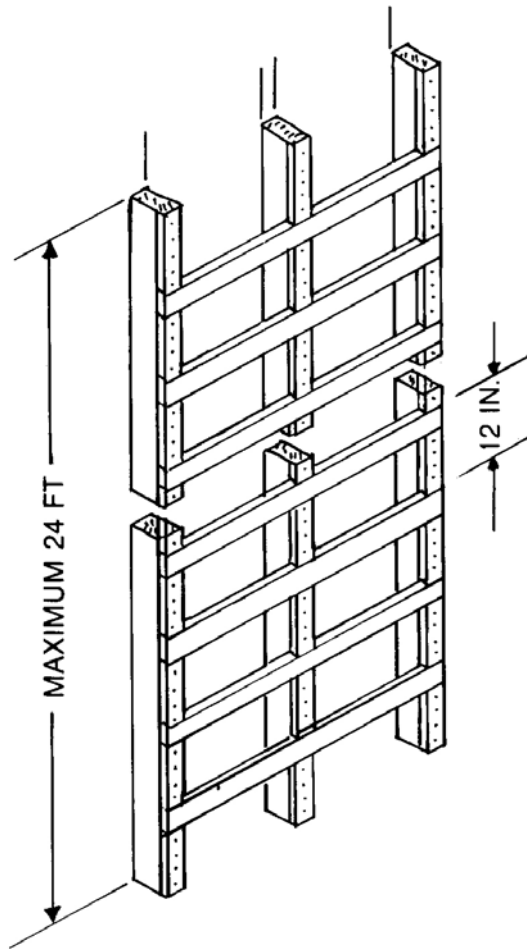


**EXAMPLES OF LADDERS CONSTRUCTED ON THE JOB**

**Example 11-1. Single cleat ladder.**



**Example 11-2.**  
**Double cleat ladder.**



**Example 11-3.**  
**Blocked cleat.**